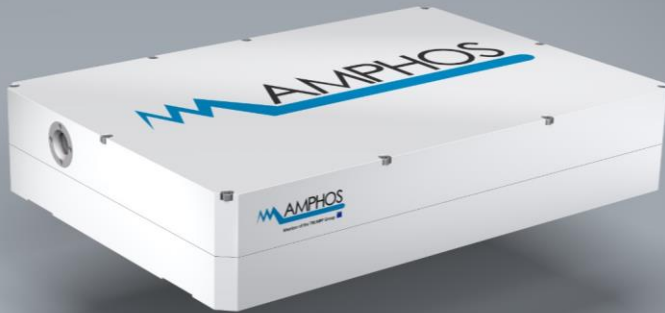


Amphos1500 Series

Compact powerful ultrafast lasers



- 10 W – 40 W
- 500 fs up to cw
- up to 100 MHz
- SHG, THG

Lasertype	15xx	17xx	19xx
Power	> 10 W	> 10 W	> 10 W
Energy	typ. 500 μ J		> 10 mJ
Pulswidth	500 fs – 10 ps	10 ps – 10ns	3 ns – cw
Reprate	Single shot to 100 MHz		
Quality M ²	<1.3	<1.3	<1.3

Features

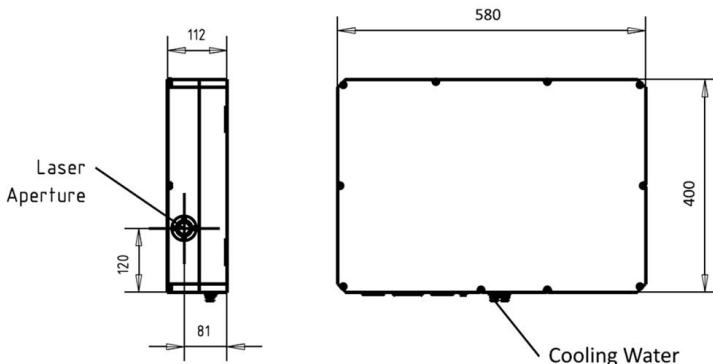
Flexible Pulse Burst
Broad Parameter Range
Pulse On Demand
Diffraction-limited

Options

Higher output power
Shorter Pulses
Synchronization
SHG, THG

Applications

Microscopy
LIDAR
Micromachining
Seeding of SSL



Dimension, Interfaces

- Laser Head
- Width: 40 cm
- Height: 11,2 cm
- Length: 58 cm
- Control unit 19", 3HE
- TCP/IP interface
- Cooling water